

KAIROS THERMO HF

Natural circulation solar system for the production of domestic hot water

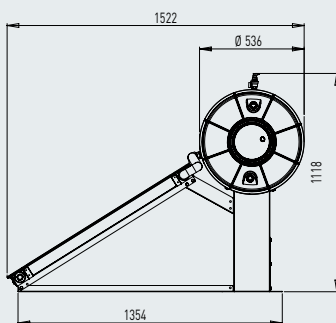
PERFORMANCES

- Kairos Thermo HF has a new optimized heat exchanger that allows a **very quick production of domestic hot water**;
- The blue selective surface treatment forgives **very high performances** with the 95% absorption and only 5% reflection;
- The collectors' **increased surface** gives the possibility to produce even more domestic hot water;
- The laser welding technology guarantees a very smooth absorbing surface, **maximizing the exploitation of the solar energy**;
- The polyurethane insulation free of CFC & HCFC, and the collectors' lower insulation in glass wool ensure **maximum protection against heat losses**;

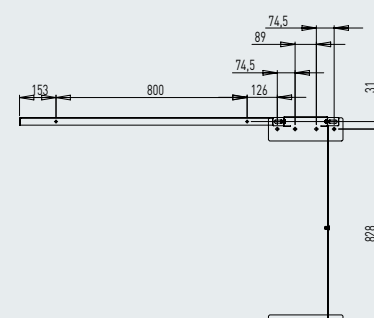
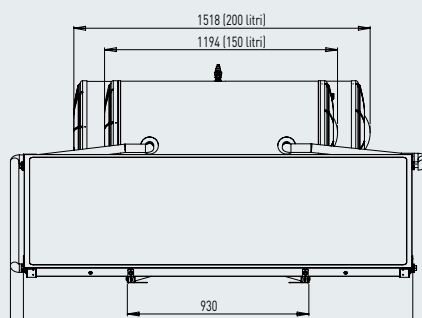


TECHNICAL DATA

		HF 150/1 TR	HF 150/1 TT	HF 200/1 TR	HF 200/1 TT	HF 200/2 TR	HF 200/2 TT	HF 300/2 TR	HF 300/2 TT	
Solar collectors										
Installation		Ground or flat roof	Sloped roof	Ground or flat roof	Sloped roof	Ground or flat roof	Sloped roof	Ground or flat roof	Sloped roof	
Collector gross surface	m ²	2,2	2,2	2,2	2,2	4,4	4,4	4,4	4,4	
Collector aperture surface	m ²	2,01	2,01	2,01	2,01	4,02	4,02	4,02	4,02	
Empty mass	kg	135	133	153	151	200	190	231	218	
Solar circuit capacity	l	6	6	6	6	8	8	11	11	
Tank module										
Domestic hot water storage tank capacity	l	153	153	202	202	202	202	270	270	
DHW circuit max. pressure	bar	8	8	8	8	8	8	8	8	
Solar circuit safety valve calibration	bar	1,5	1,5	1,5	1,5	1,5	1,5	1,5	1,5	
Heat losses	kWh/24h	2,39	2,39	2,67	2,67	2,67	2,67	2,81	2,81	
CODE (with antifreeze liquid)		3023535	3023536	3023537	3023538	3023505	3023506	3023539	3023540	
CODE (without antifreeze liquid)		3023551	3023552	3023553	3023554	3023511	3023512	3023555	3023556	
CODE (with 2 kW electrical heating element)		3022175	3022174	3022177	3022176	3022179	3022178	3022181	3022180	



These drawings refer to 150/1 and 200/1 models



These drawings refer to 200/2 and 300/2 models

ENERGY
EFFICIENTMADE
IN ITALY

HAIL PROOF

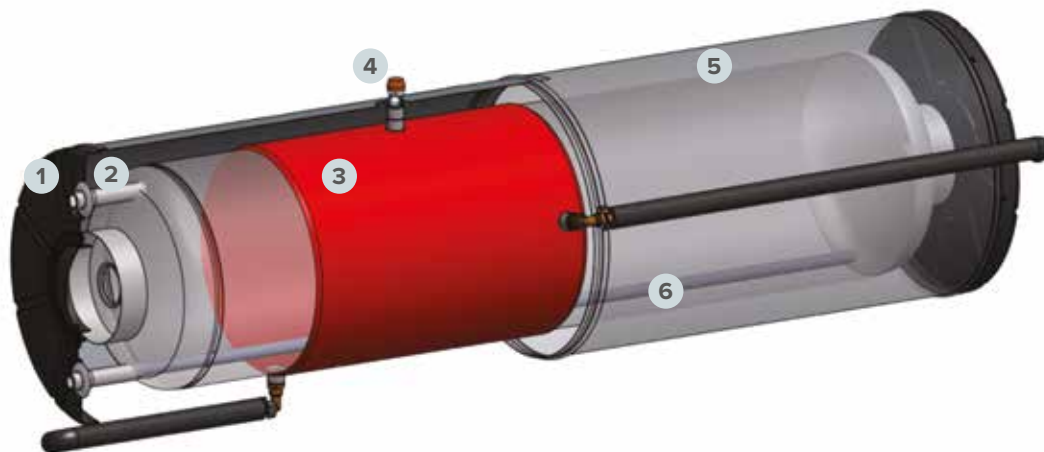
SOLAR
KEYMARK

DESIGN AND TECHNOLOGY

- Kairos Thermo HF offers the **best enjoyable** design of its category, thanks to the accurate study of the lines, and of the external shape;
- The new o-ring connection allows a **very quick installation**, even eliminating the risk to damage the hydraulic connection kit;
- Kairos Thermo HF is designed to work both **on flat roof and on inclined roof**, thanks to the use of different accessories;
- The new geometry of the heating element, shorter and thicker, allows more homogeneous consumption and consequently **longer lifetime**;
- The enamelled heating element, with its extra-smooth surface, represents a barrier against the deposition of limestone, ensuring, during the working time, **an ever efficient heat exchange**;

QUALITY

- Kairos Thermo HF is made up with the best material available: the steel tank with exclusive titanium-based enamel treatment, the copper hydraulic circuit and the zn-mg chassis guarantee **high reliability, corrosion proof** and very long life cycle;
- The special tempered glass with low content iron assures very **high protection against the hail**, and against the collector's loading;
- With the **solar key mark** and the test report according EN 12975-2, the compliance with the international standard is certified;
- The magnesium anode guarantees **corrosion proof protection**; even **longer lifetime** is guaranteed thanks to the enamel coating technology that represents a barrier against water impurities and acids;
- The technopolymer angle, that integrates the condensate exhaust and the flanged manifold outlet, ensures a **more precise production process**;



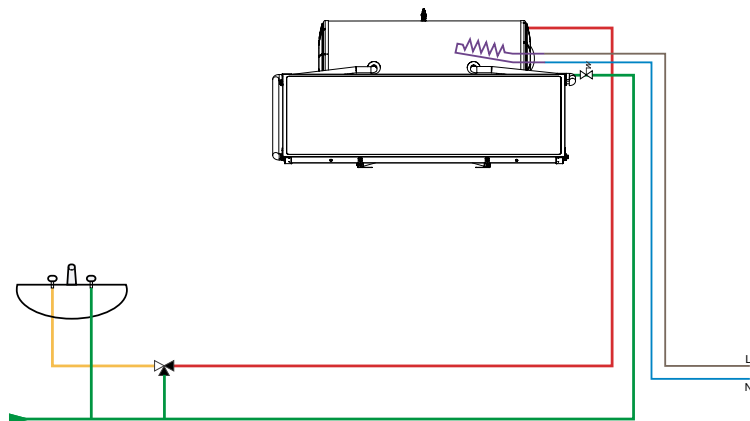
- 1 - Low dispersion polyurethane insulation free of CFC & HCFC
- 2 - Steel tank with exclusive titanium-based enamel treatment
- 3 - 360 °C heat exchanger
- 4 - 1,5 solar safety valve
- 5 - External tank in prepainted zinc-steel
- 6 - Cold water distribution lance
- 7 - New o-ring connection



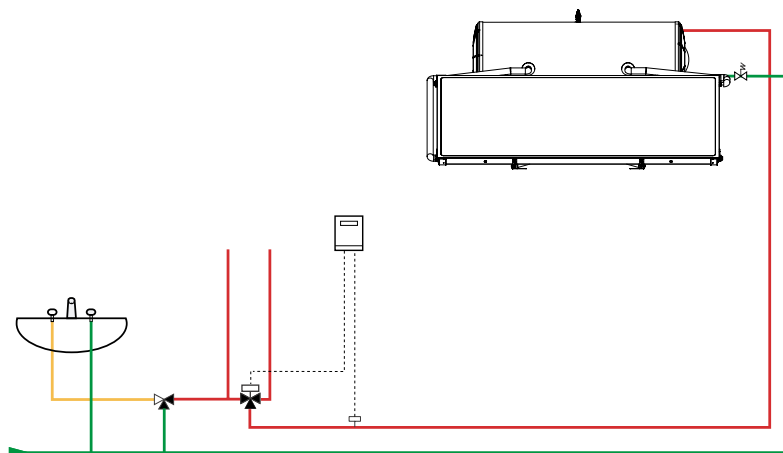
KAIROS THERMO HF

MAIN SYSTEM LAYOUTS

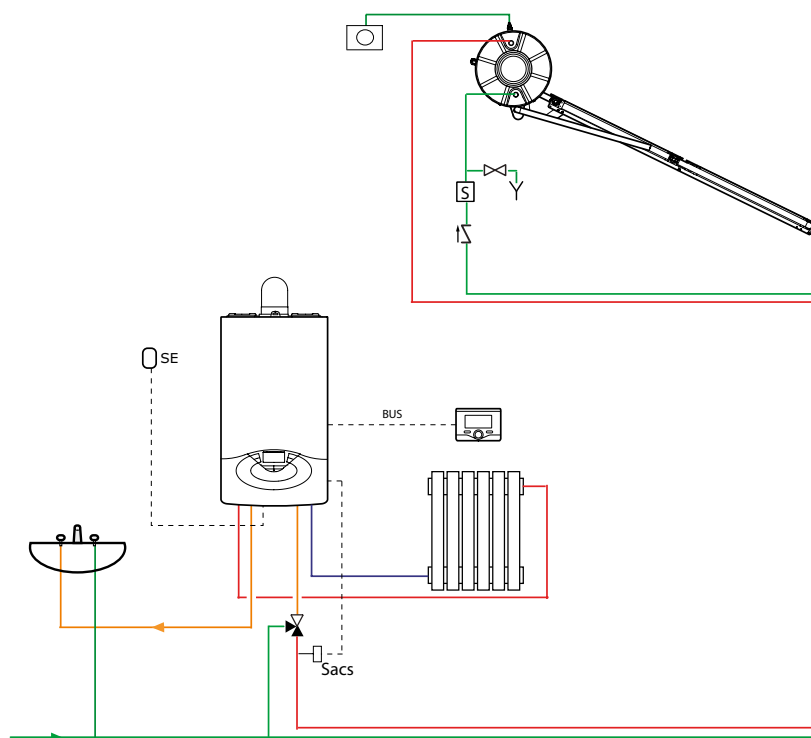
LAYOUT A



LAYOUT B



LAYOUT C



LIST OF COMPONENTS		Kairos CN direct collector Cod. 3020052	CNA1R direct Cod. 3507082	CNA2R direct Cod. 3507080	CNA3R direct Cod. 3507081	Ground Frame for 150-1 and 200-1 direct Cod. 3024140	Ground Frame for 300-2 Cod. 3024141	Hydraulic fittings kit 150-1 and 200-1 direct Cod. 3024101	Hydraulic fittings kit 300-2 direct Cod. 3024102
Description	Code								
Kairos Thermo Direct Ultra 150/1 TR	3022184	1	1			1		1	
Kairos Thermo Direct Ultra 200/1 TR	3022186	1		1		1		1	
Kairos Thermo Direct Ultra 300/2 TR	3022188	2			1		1		1

LIST OF COMPONENTS		KAIROS VN 2.2 Code: 3020056 CNA 150 HF ARISTON Code: 3507104 CNA 200 HF ARISTON Code: 3507105 CNA 300 HF ARISTON Code: 3507106 CNA 150 HF-E 2KW ARISTON Code: 3507172 CNA 200 HF-E 2KW ARISTON Code: 3507173 CNA 300 HF-E 2KW ARISTON Code: 3507174 Ground frame for Kairos Thermo HF 150/1 and 200/1 Code: 3024166 Ground frame for Kairos Thermo HF 200/2 Code: 3024206 Ground frame for Kairos Thermo HF 300/2 Code: 3024167 Roof frame for Kairos Thermo HF 150/1 and 200/1 Code: 3024168 Roof frame for Kairos Thermo HF 200/2 Code: 3024193 Roof frame for Kairos Thermo HF 300/2 Code: 3024169 Hydraulic fittings 150/1 and 200/1 for ground installation Code: 3024162 Hydraulic fittings 150/1 and 200/1 for roof installation Code: 3024164 Hydraulic fittings for ground installation of 200/2 Code: 3024205 Hydraulic fittings for roof installation of 200/2 Code: 3024091 Hydraulic fittings 300/2 for ground installation Code: 3024163 Hydraulic fittings 300/2 for roof installation Code: 3024165																	
Description	Code																		
KAIROS THERMO HF 150-1 TR ES	3023551	1	1				1					1							
KAIROS THERMO HF 150-1 TT ES	3023552	1	1						1				1						
KAIROS THERMO HF 200-1 TR ES	3023553	1		1			1					1							
KAIROS THERMO HF 200-1 TT ES	3023554	1		1						1			1						
KAIROS THERMO HF 200-2 TR ES	3023511	2		1				1						1					
KAIROS THERMO HF 200-2 TT ES	3023512	2		1						1					1				
KAIROS THERMO HF 300-2 TR ES	3023555	2			1				1									1	
KAIROS THERMO HF 300-2 TT ES	3023556	2			1							1							1
KAIROS THERMO HF 150-1 TR ELETROSOL	3022175	1				1		1					1						
KAIROS THERMO HF 150-1 TT ELETROSOL	3022174	1				1				1				1					
KAIROS THERMO HF 200-1 TR ELETROSOL	3022177	1				1		1					1						
KAIROS THERMO HF 200-1 TT ELETROSOL	3022176	1				1				1				1					
KAIROS THERMO HF 200-2 TR ELETROSOL	3022179	2				1		1							1				
KAIROS THERMO HF 200-2 TT ELETROSOL	3022178	2				1					1					1			
KAIROS THERMO HF 300-2 TR ELETROSOL	3022181	2					1		1									1	
KAIROS THERMO HF 300-2 TT ELETROSOL	3022180	2					1					1							1

INTEGRATION SYSTEM		None	Electric heating element	Generic combi boiler	Egis Plus	Genus Evo < 28 kW Clas Evo < 28 kW	Genus Evo ≥ 28 kW Clas Evo ≥ 28 kW Clas B	Outdoor models	Built-in models
Description	Code								
ENAMELLED ELECTRIC KIT 2 KW FOR 150-200-300 LT	3024272		●						
ELECTRIC KIT 1,5 KW FOR 150-200-300 LT	107069		●						
THERMOSTATIC MIXER	3024085	●	●	●					
MOTORIZED THREE-WAY VALVE	3087085			●					
DIGITAL THERMOSTAT	800232			●					
INTEGRATED THERMOSTATIC MANUAL MIXING VALVE	3318379				●	●			
HIGH FLOW RATE THERMOSTATIC MIXING VALVE	3318419						●		
BUILT IN SOLAR KIT*	3318408							●	●
MOTORIZED BUILT-IN SOLAR KIT*	3318484								●
INTEGRATED SOLAR PROBE	3318317				●	●	●	●	●
		A		B		C			

*It is required the code 3318401 antifreeze kit (protection down -20 °C)