



 **ARISTON**

KAIROS THERMO DR

# KAIROS THERMO DR



## Natural circulation direct solar system for the production of domestic hot water Made in Italy

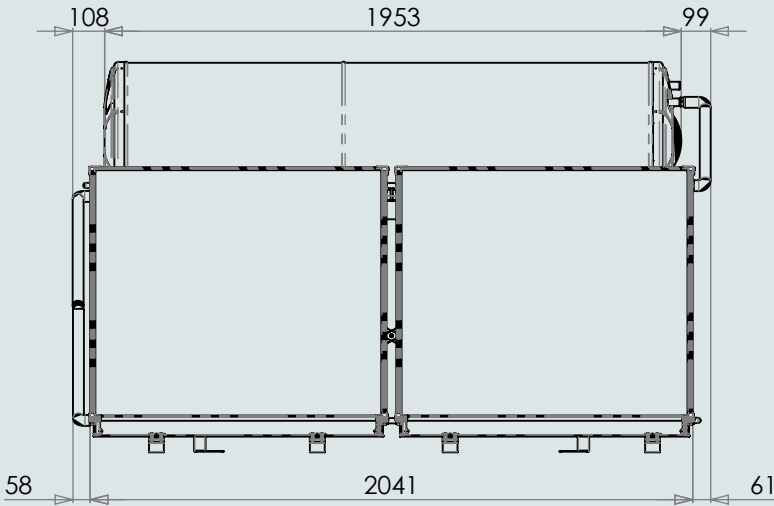
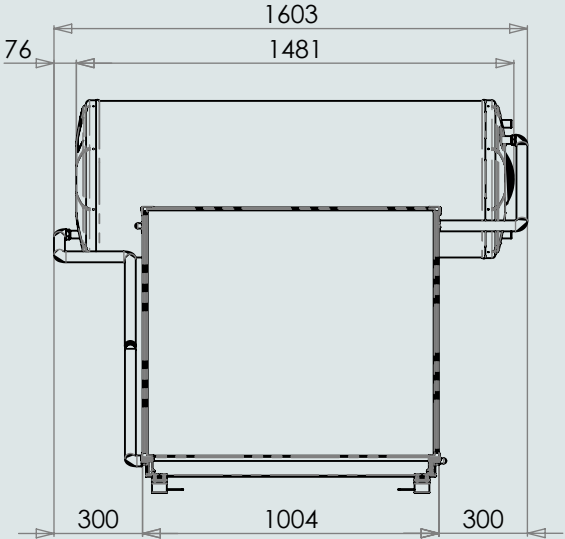
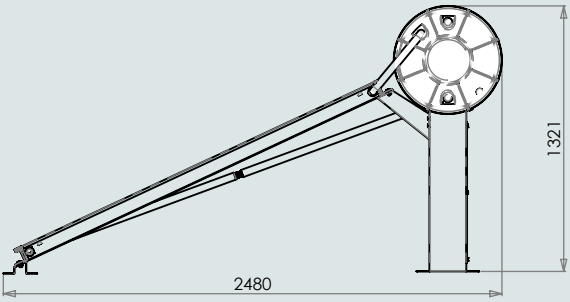


- Kairos Thermo DR has the advantage of a **quick installation**, thanks to the very simple hydraulic connections;
- **No heat stress** thanks to the omega connection of the internal structure;
- Highly transparent prismatic surface that ensures the **reflective rays reduction**;
- **High reliability, corrosion proof and very long life cycle** guaranteed by using only the best materials: steel tank with exclusive titanium-based enamelling, oversized magnesium anode, copper hydraulic circuit ;

**TECHNICAL DATA**

200/1 TR    300/1 TR

Collectors gross surface	m <sup>2</sup>	2,00	4,00
Collectors aperture surface	m <sup>2</sup>	1,85	3,70
Empty mass (ground installation)	kg	129	190
Domestic hot water storage tank capacity	l	197	270
DHW circuit max. pressure	bar	8	8





MADE IN ITALY



HIGH EFFICIENCY



HIGH ABSORPTION



LONG DURATION



CORROSION-PROOF



HAIL-PROOF

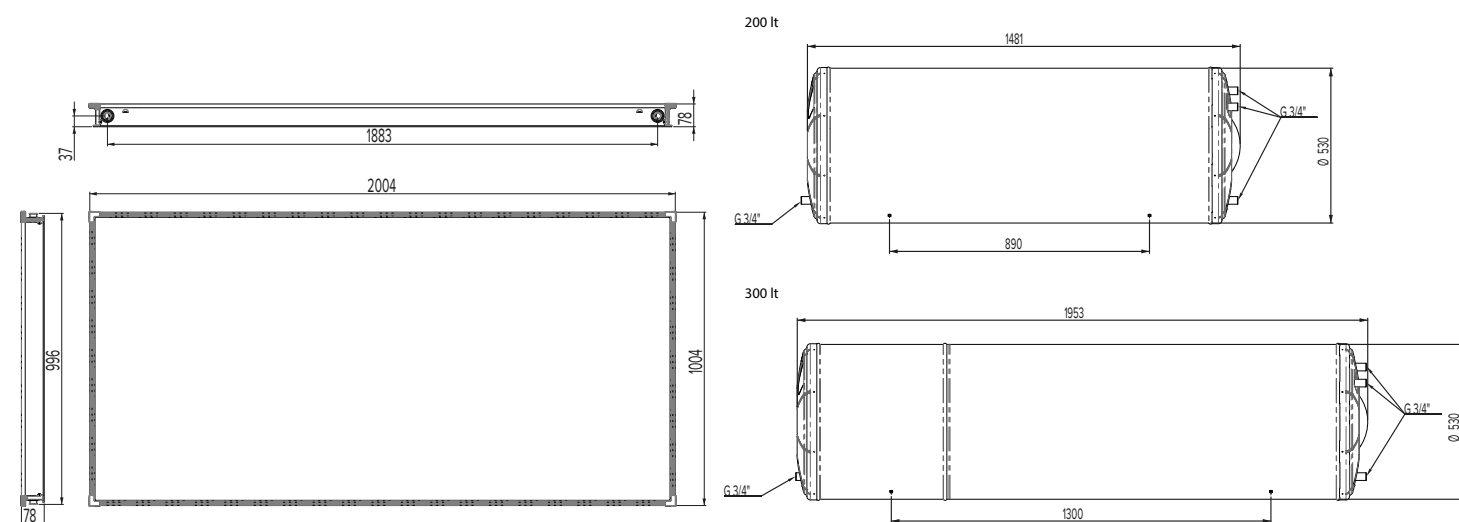
## Technical Specifications

### Collector

- Absorber: solar selective blue treatment
- Risers material: copper tube
- Tray/body of collector: ZincMg sheet 0.75 mm thick
- Insulation: glass wool - density 48 kg/m<sup>3</sup>
- Tubes purity: 99,9%
- Glass: toughened solar glass 3.2 mm thick, absorption >95%
- Dry weight: 30 kg

### Tank

- Outer tank protection: Zinc-Magnesium\*
- Inner tank protection: high quality steel with anticorrosion enamelling at 850°C and anticorrosion magnesium anode
- Insulation: high density CFC free polyurethane insulation
- Insulation thickness: 40 mm
- Max DHW temperature: 105°C
- Max operating pressure: 8 bar
- Dry weight: 60/86 kg (200/300 lt model)



Solar collector

Tank

\*The Zinc-magnesium coating creates a barrier against steel-oxidising agents.

Zinc acts as anode, steel as cathode and humidity as electrolyte. So zinc guarantees a "sacrificial" protection to steel structure; for this reason, the material is self-protected



ARISTON THERMO GROUP

**Ariston Thermo SpA**  
Viale A. Merloni, 45 • 60044 Fabriano (AN) - ITALY  
Fax: 0732 602416

[ariston.com](http://ariston.com)

**Ariston Thermo SpA - Middle East Branch**  
Dubai Airport Free Zone - Bdg. 5EA - Off. 414  
Phone: (+971) 4 2364969

[ariston.com/me](http://ariston.com/me)