



IPX25D



Electric wall hung water heater



POLYURETHANE INSULATION



ENAMELLED STEEL TANK

- EASY ACCESS TO ELECTRICAL COMPONENTS
- LOWER HEATING NOISE
- GRIP HANDLES
- FLANGE Ø 105 MM FOR A SIMPLE INSPECTION

**easy
and safe**

Technical data - Overall dimensions

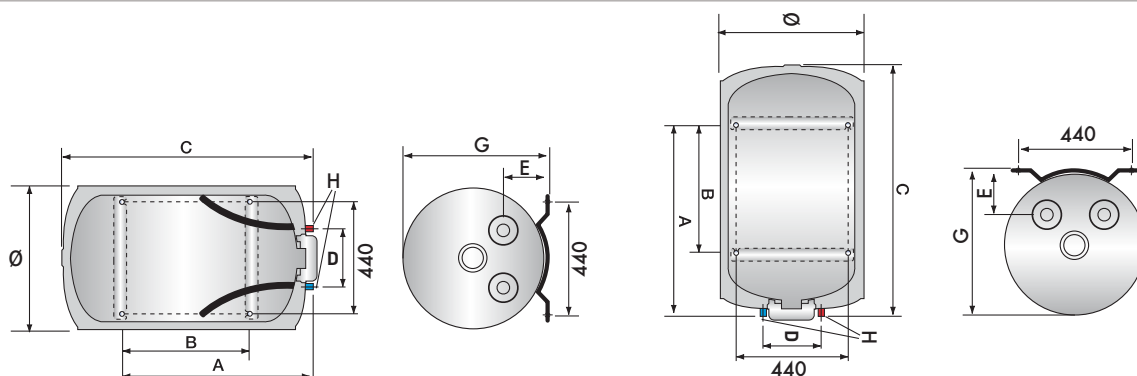
		ARI 150 V THER	ARI 150 H THER	ARI 200 V THER	ARI 200 H THER			ARI 150 V THER	ARI 150 H THER	ARI 200 V THER	ARI 200 H THER
Capacity	l	150	150	200	200	a mm		750	750	1050	1050
Power	Kw	1,8	2	2,2	2	b mm		500	500	800	800
Voltage	V	230	230	230	230	c mm		1010	1010	1270	1480
Heating time (deltaT= 50°C)	h,min	5,10	4,40	5,35	5,50	d mm		230	230	230	230
Heat dispersion	kWh/24h	1,41	1,87	1,85	2,07	e mm		175	175	175	175
Max working temp.	°C	65	75	65	75	f mm		560	560	560	510
Insulation Thickness	mm	30	30	30	30	g mm		575	575	575	575
Protection	IP	25D	25	25D	25	h mm		G3/4	G3/4	G3/4	G3/4
Weight	kg	37	37	45	45						

ARI 150 V THER
3000060

ARI 150 H THER
3010190

ARI 200 V THER
3000061

ARI 200 H THER
3010191



LEGEND

E Cold water inlet G 3/4"

U Hot water outlet G 3/4"